

Simulating The Ronchi Test

Understanding The Inner Workings Of Ronchi For Windows

Full Sized Figures

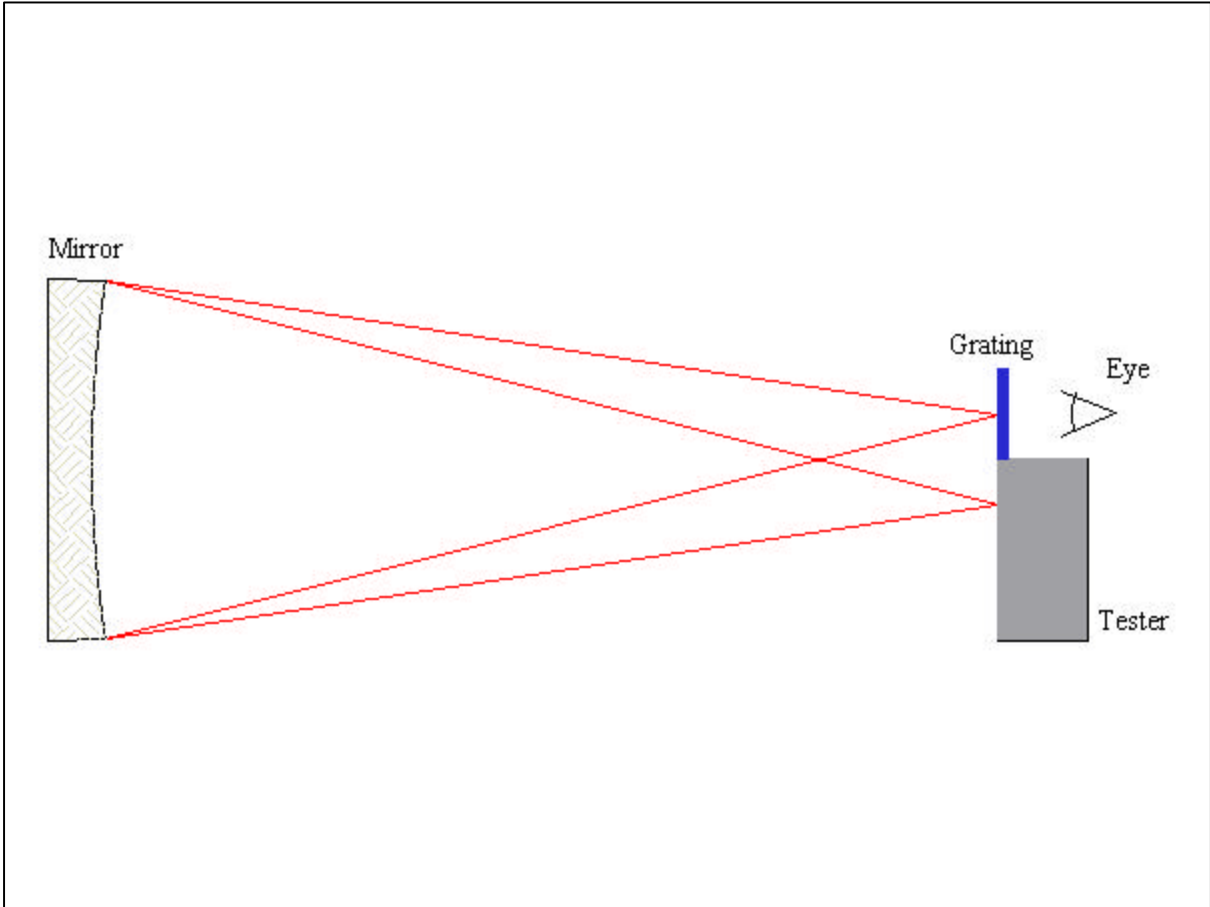


Figure 1.
Set up of the Ronchi test.

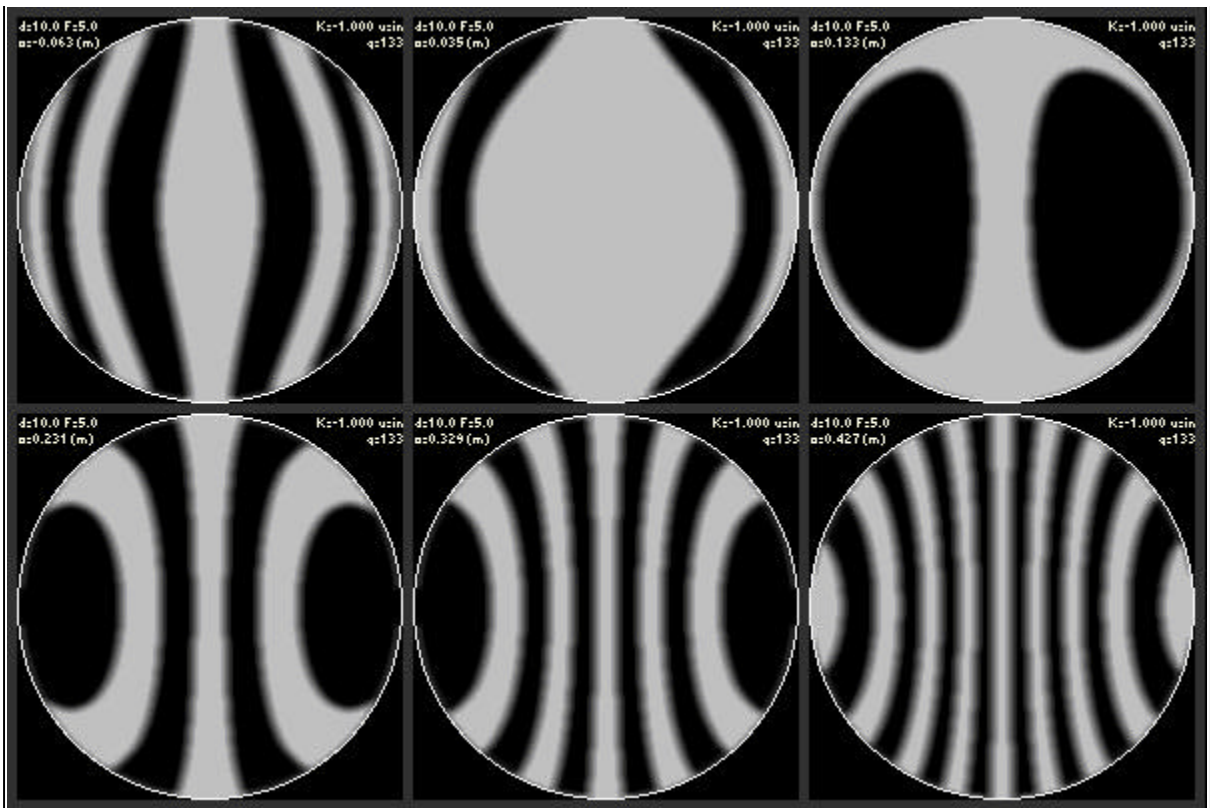


Figure 2.
A series of Ronchi test images at different grating offsets.

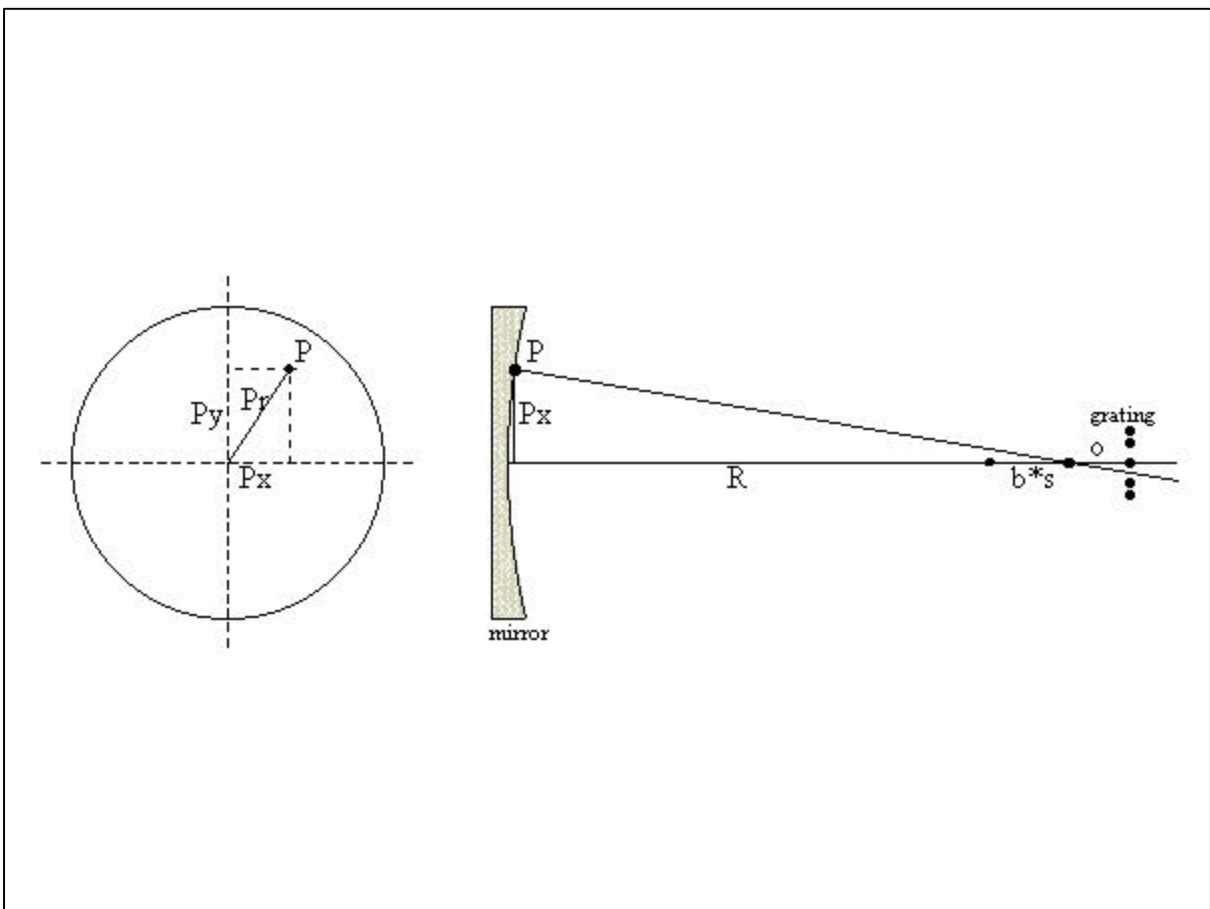


Figure 3.
The geometry of the Ronchi test.

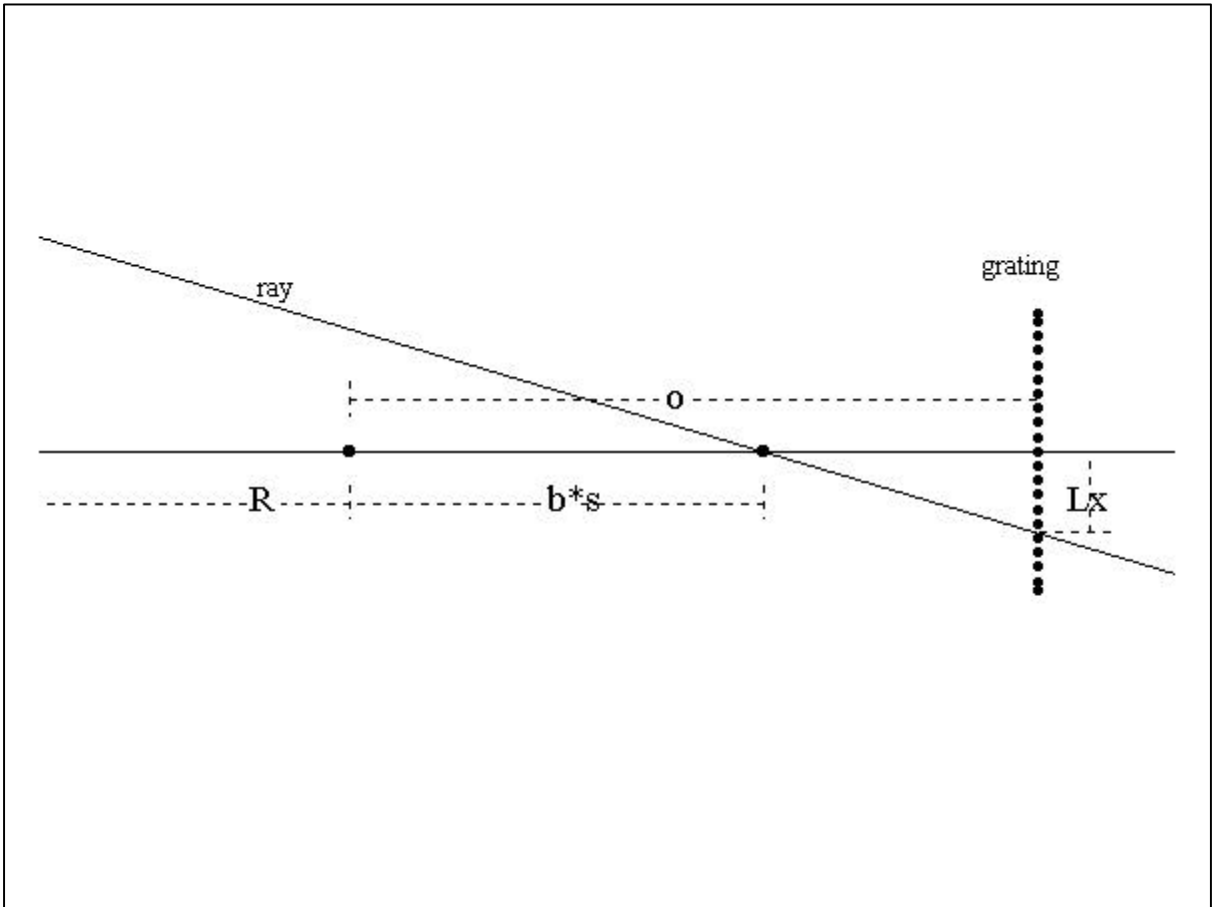


Figure 4.
The axial crossing area near the radius of curvature.

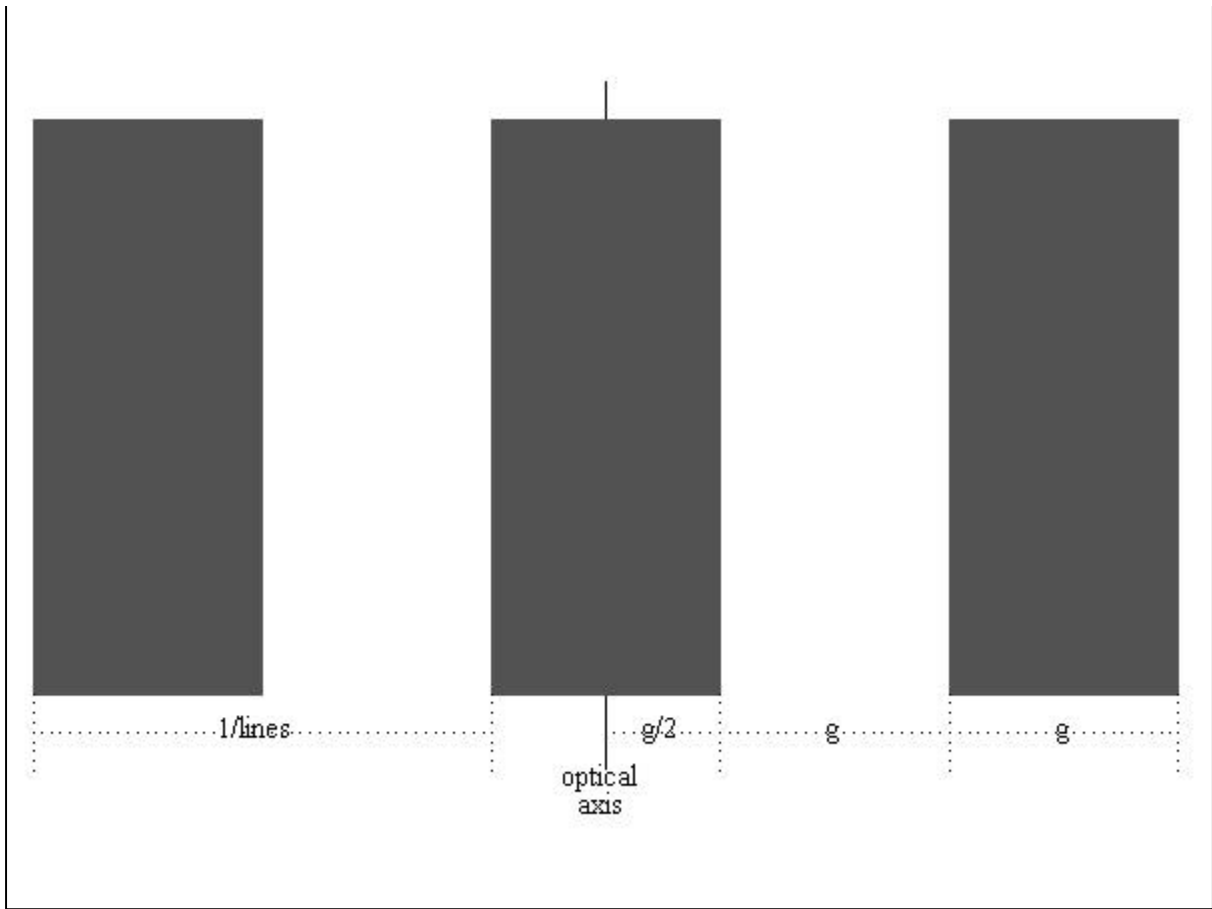


Figure 5.
The grating and optical axis.

[Article: Simulating The Ronchi Test](#)

Last Page Update: Wednesday, June 14, 2000

The ATM's Workshop
Copyright © 1998-2001, John D. Upton. All rights reserved.